

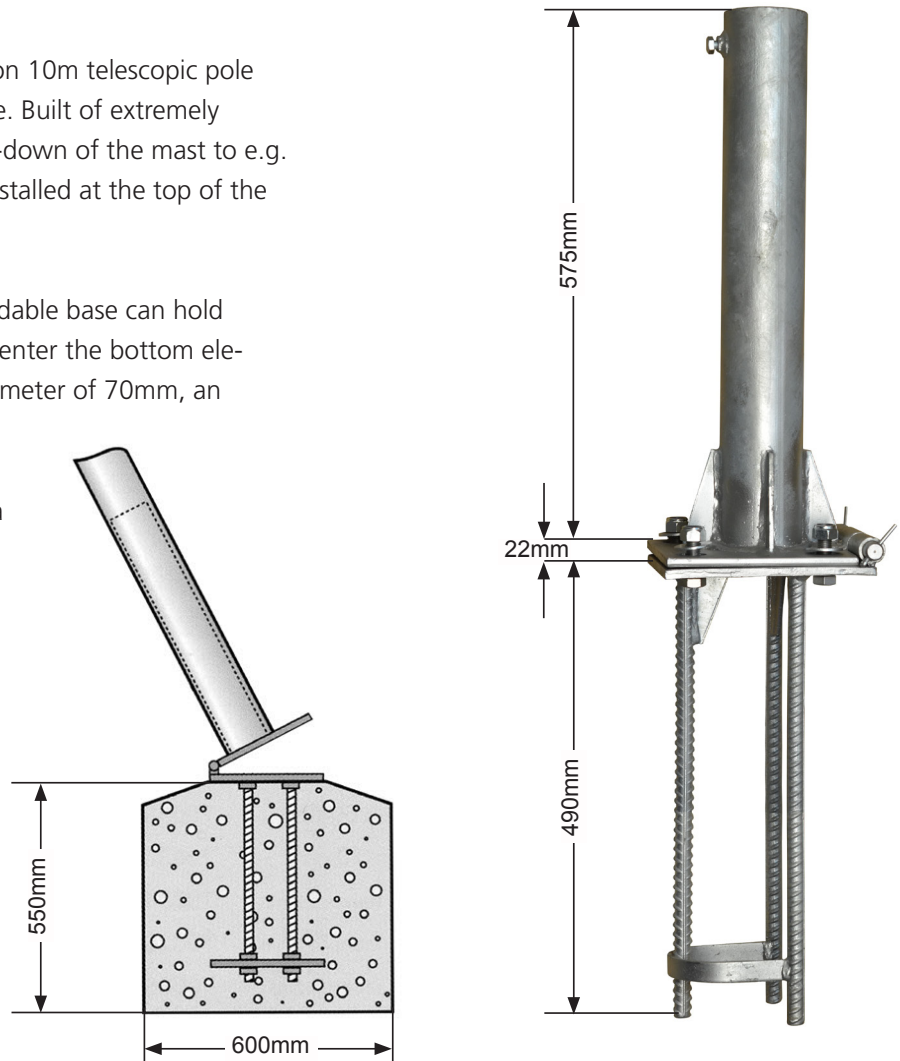
Foldable Base for 10m Pole

Installation and maintenance of the Adcon 10m telescopic pole set get a lot easier with this foldable base. Built of extremely sturdy galvanized steel it makes the take-down of the mast to e.g. check and clean a set of wind sensors, installed at the top of the mast, a matter of minutes.

With an inner diameter of 80mm this foldable base can hold masts of up to 15m height. To properly center the bottom element of the Adcon 10m pole with its diameter of 70mm, an aluminum collar is included.

The top part of the base folds down on a steel hinge, and is bolted to the bottom part by 4 self-locking nuts.

We strongly recommend to embed the bottom part of the foldable base into a cube of cement of at least the dimensions shown in the image to the right. In very light soils or sand and/or very windy areas we recommend the concrete base to be at least of 100cm in height to provide a solid anchor in the ground.



Technical data

Dimensions Access Tube	Outer Ø: 88mm Inner Ø: 80mm	Materials	Foldable base: galvanized steel Nuts and bolts: A2 stainless steel Centering collar: aluminum
Dimensions Hinged Base	230 x 180 x 22mm (L x W x H)		Recommended installation
Dimensions Bottom Section	490mm Length	Required tools	Flexible wrench; or 16mm and 25mm open spanners
Dimensions Centering Collar	Outer Ø: 80mm Inner Ø: 70mm Height: 100mm	Ordering Information	
Weight	14,90kg	200.730.504	Foldable base for Adcon's 10m Telescopic aluminum pole set